

UCMCP01

CONVENTIONAL MANUAL CALL POINT

The UCMCP01 is compliant with EN54-11 and can be used with any brand of conventional fire alarm systems. The internal 470-ohm resistance makes installation much simpler.

It has a reprogrammable operation structure that may be reset with a unique plastic key. Furthermore, it is suitable for flush and surface mounting. To prevent false alarms caused by unintentional pressing, an optional transparent protection cover can be added.



FEATURES & BENEFITS

- ✓ EN 54-11 Certified
- ✓ Resettable
- ✓ NC/NO Selection
- ✓ Contains a 470 Ohm resistance; no additional connections are required.
- ✓ A transparent protection cover is available as an option, which can be sealed
- ✓ Flush and surface mounting options available

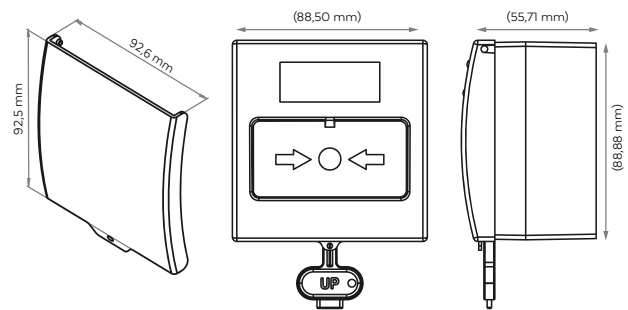
TECHNICAL SPECIFICATIONS	UCMCP01
Standard	EN 54-11
Resettable	Yes
Relay	NC/NO/470 Ohm
Operating Voltage	5-32VDC
Dimensions (mm)	86 x 55 x 88 mm
Weight	165gr
Body Material and Color	RAL3001 RED
Operating Temperature	-10°C - 60°C
Humidity	≤93% RH at +40°C
Protection Class	IP30

UAMCP-CO

TRANSPARENT PROTECTION COVER



The translucent polycarbonate cover is durable and long-lasting. It's used to keep buttons from being accidentally pressed.



For more information

+44 (0) 1302 244 903 London, UK

Learn more about ULTRA FIRE PROTECTION SYSTEM and other products available by visiting www.ultrafire-uk.com